

A6 Micro BLDC Pump



Typical Applications

- Car Engine Pre-heating
- Heating System (Car Auxiliary Heaters, Parking Heaters)
- HVAC Circulation System
- Electric Vehicles Inverter Cooling System
- Electric Vehicles Charging Pile Cooling
- Automobile engine cooling Circulaton
- Electric Vehicles Battery Cooling System

Features

- Resistant to extreme low temperature starting at -45°C and high temperature resistant to 100°C
- 20,000 hours long working life
- Achieves high dust and water resistance rating IP68
- 6-28V wide voltage operation

Specification

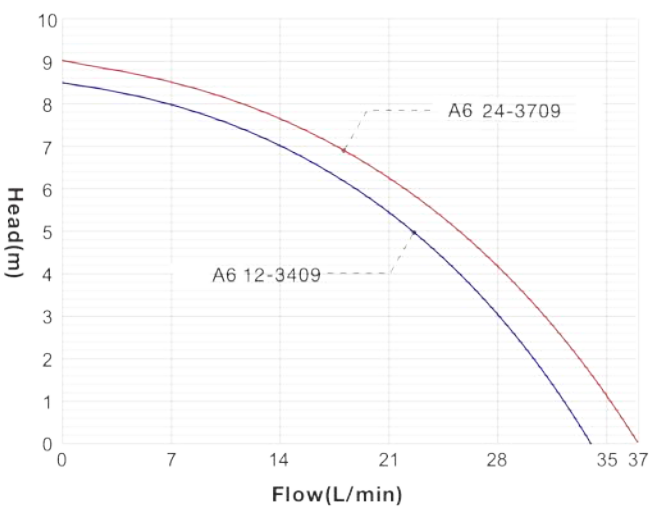
Model	Product Code	Rated Voltage (VDC)	Max Water Flow (L/min)	Max Water Head (M)	Rated Current (A)	Rated Power (W)	At Max Efficiency Point	
							Rated Spec. (L/min @ M)	Rated Power (W)
A6	A6 12-3409	12	34	8.5	4.5	54	20.58 @ 5.92	46.9
	A6 24-3709	24	37	9	2.5	60	22.41 @ 6.37	50.4

Customization: 1. /PWM speed control 2. /FG (RPM) signal wire

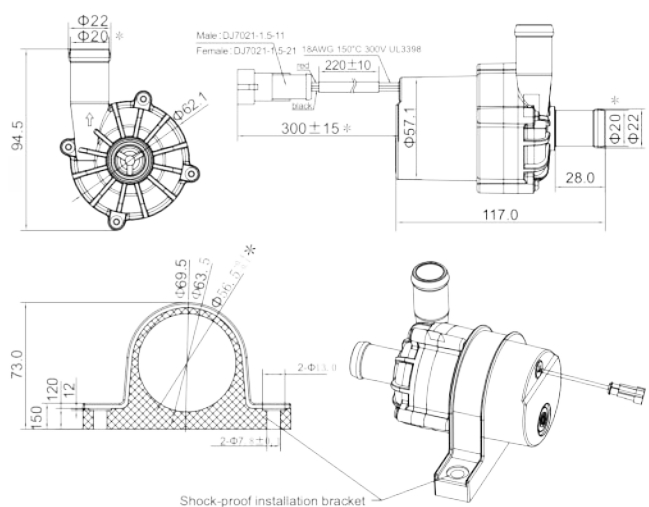
- The data in the table is the measured performance when pure water is delivered at normal temperature.
- The maximum flow rate is the flow rate when water head is 0 meter, and the highest lift is the lift when water flow is 0 L/min.
- Noise ≤ 50dB(A)
- Working mode: Continuous operation under 90°C liquid temperature, 100°C intermittent operation

- IP level: IP68
- Coil Insulation class: Class H
- Ambient temperature: -45°C ~ 70°C (continuous), 80°C (interrupt)
- Liquid temperature: -45°C ~ 90°C (continuous), 100°C (interrupt)
- Do Not Run Pumps Dry.
- Pumps must be in a continuous flooded suction environment.

Curve



Dimension (mm)



Shock-proof installation bracket