

A5, A6

Electronic Auto Pump



A5

Flow up to **25L/min**



A6

Flow up to **37L/min**

104~248° F working temperature, 40°C~120°C



Areas of use

- Car engine cooling circulation
- Car engine pre-heating
- Heating system (Car Auxiliary heaters & parking heaters)
- Electric vehicles water circulation system
- Normal Hot Water Circulation
- Liquid Transfer
- General Purpose Pumping



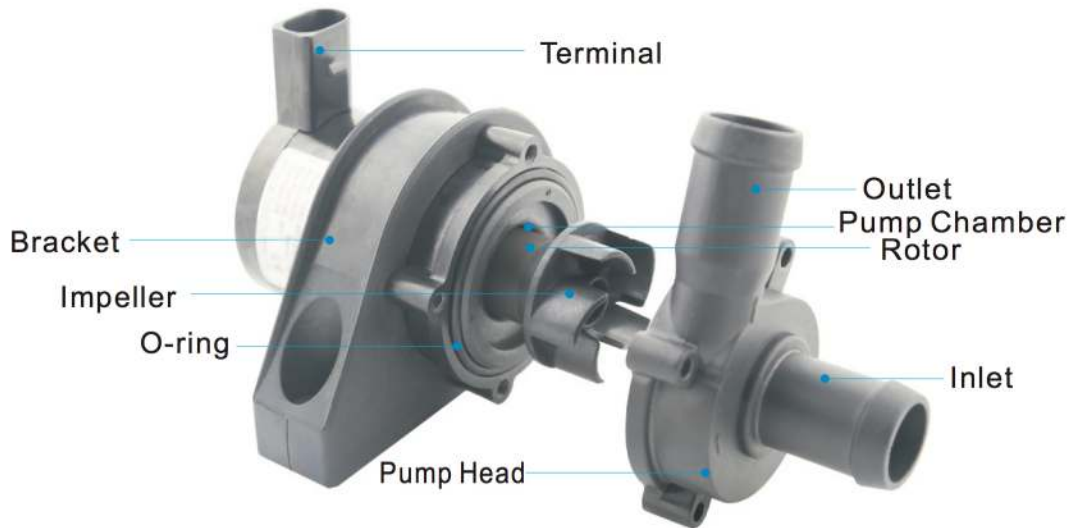
A5, A6

Electronic Auto Pump

Features

- ◇DC brushless motor with long lifetime
- ◇Heavy duty work, can sustain continual 24 hours
- ◇Sustain -40~120°C, suitable for extreme outdoor environment
- ◇Durable permanent magnetic rotor/impeller & finceramic shaft
- ◇Advanced magnetic drive technology for static-impeller, without any leakage for ever
- ◇The motor with big machine movement optimization design, has very low temp rise
- ◇Automatic polarity protection, overload protection, block protection
- ◇special design to meet car vibration working condition
- ◇special design to meet car power supplying way which occur high peak voltage or unstable voltage
- ◇Equipped with specializing car water-against connector
- ◇Applied liquid: pure water, antifreeze solution
- ◇IP protection level : IP 67
- ◇Low or no maintenance
- ◇Low power consumption

Structure

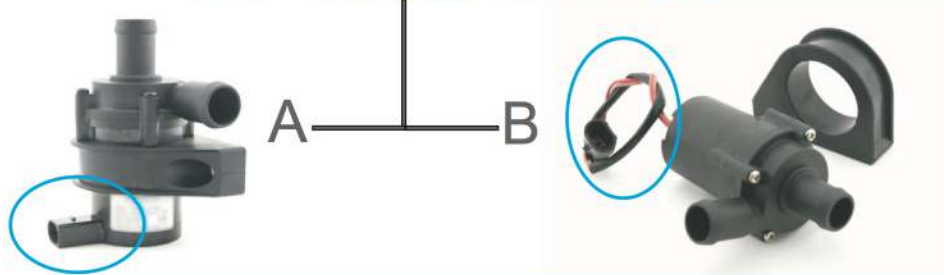


Materials of Construction (wetted parts)

Wetted Parts	Materials	Wetted Parts	Materials
pump head	PPS	bearing sleeve	graphite
pump chamber	PPS	rotor magnetic	Ferrite
O-ring	EPDM	shaft	Stainless
impeller	Pa66	gasket	Stainless

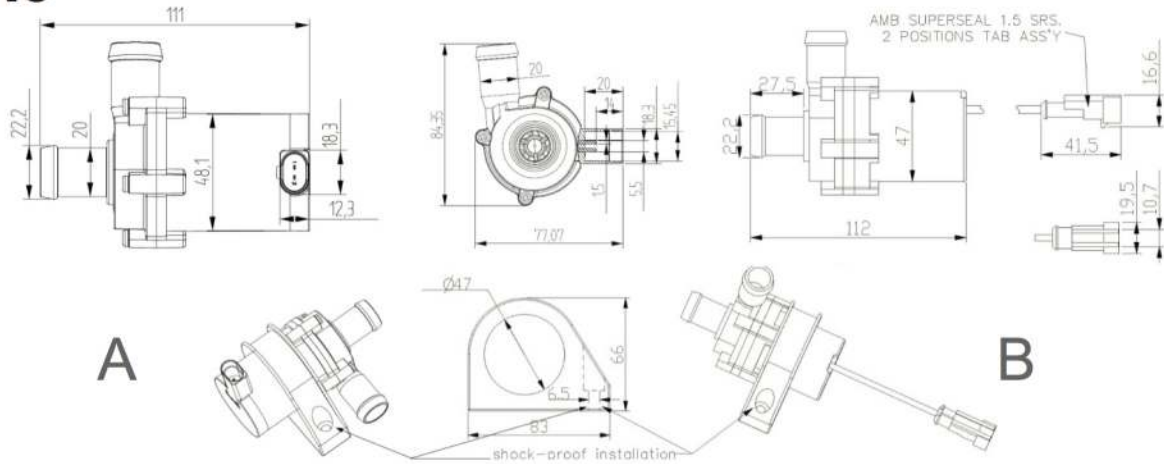
A5 Optional Terminal

A5-R/A/B-12-2503

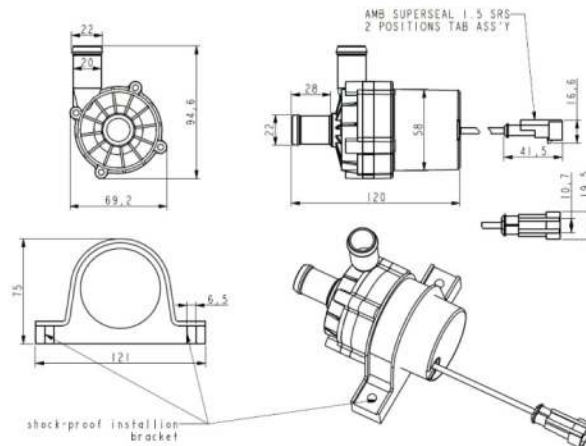


Dimension

• A5



• A6



Specification

Model	Product Code	Max Flow Rate (L/Min)	Voltage (VDC)	Current (A)	Max Water Head (M)	Power (W)
A5	A5-RA/RB-12-2502	25	12	1.1	2.5	13.5
	A5-RA/RB-24-2503	25	24	0.7	3	17
A6	A6-12-3709	37	12	4.6	9	55
	A6-24-3709	37	24	2.5	9	60

A5, A6 curve

