

TG-02S & TG-02B Plastic Micro Gear Pump (DC brush motor)



Specification:

small size, high pressure

Working Way :

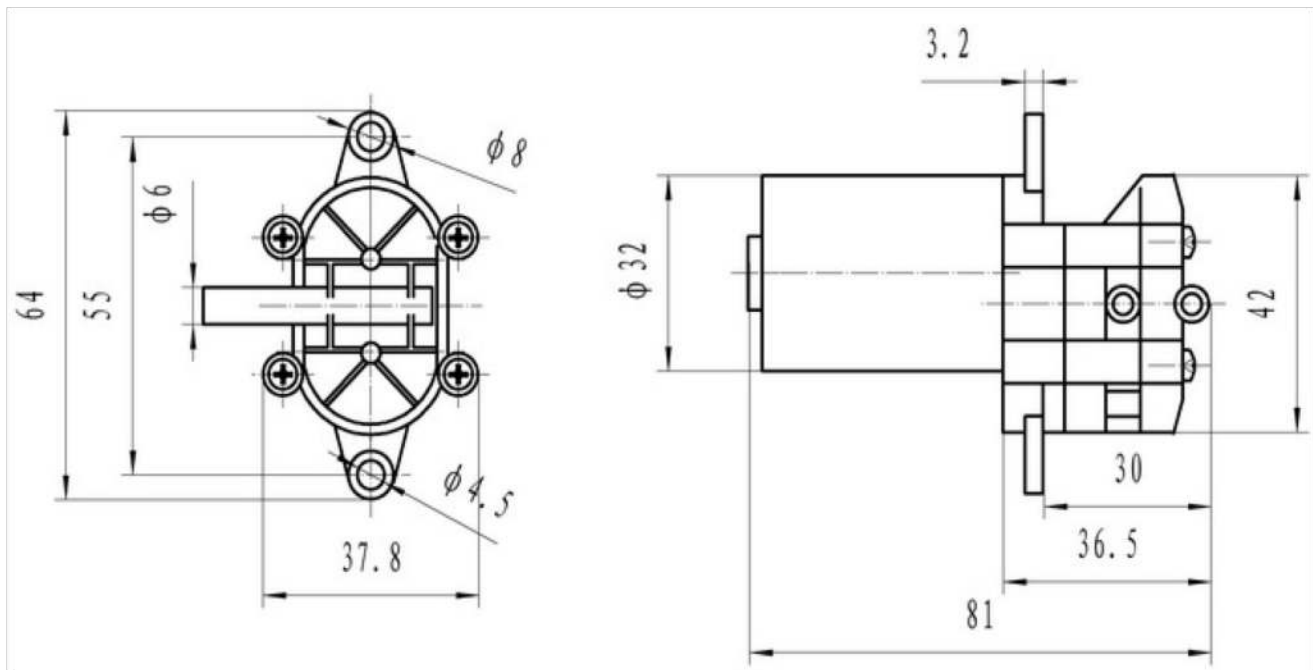
interruption

Fluid Temperature:

-10 °C ≤ T ≤ 100 °C (except for the freezing)

Application:

spray,
sanitary ware,
ice-making machines,
drinking fountains, and so on.



TG-02S size (note: TG-02B with the same pump head size, just motor with length of 104mm, width of 38mm)

Model	Max Pressure (Bar)	Max Flow (L/Min)	Power (W)	Voltage (V)	Self-Priming Height (M)	Difference
TG-02S/DC12A	1.5	1.7	12	DC12	0.3M	lifetime 400hours
TG-02S/DC12B	3	3	20	DC12	0.5M	
TG-02S/DC24A	1.5	1.7	12	DC24	0.3M	
TG-02S/DC24B	3	3	20	DC24	0.5M	
TG-02B/DC12A	1.5	1.7	35	DC12	0.4M	lifetime 800hours a little bigger size lower noise
TG-02B/DC12B	3	3	40	DC12	0.6M	
TG-02B/DC24A	1.5	1.7	35	DC24	0.4M	
TG-02B/DC24B	3	3	40	DC24	0.6M	